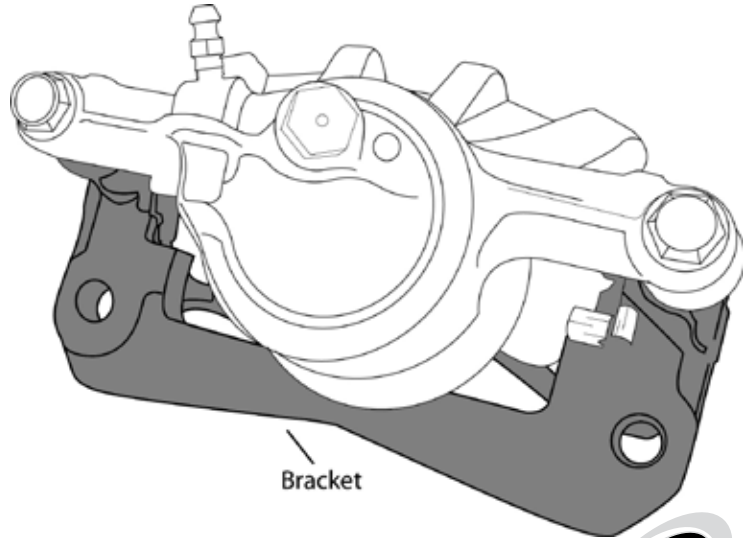

ATTENTION

**CORE CREDIT WILL NOT BE ISSUED
IF THIS CRITICAL COMPONENT IS NOT RETURNED**

Your core must include the mounting bracket and caliper housing to receive full core credit.

THE CALIPER ILLUSTRATION IS AN EXAMPLE,
YOUR CALIPERS APPEARANCE MAY DIFFER.



CRTNB1



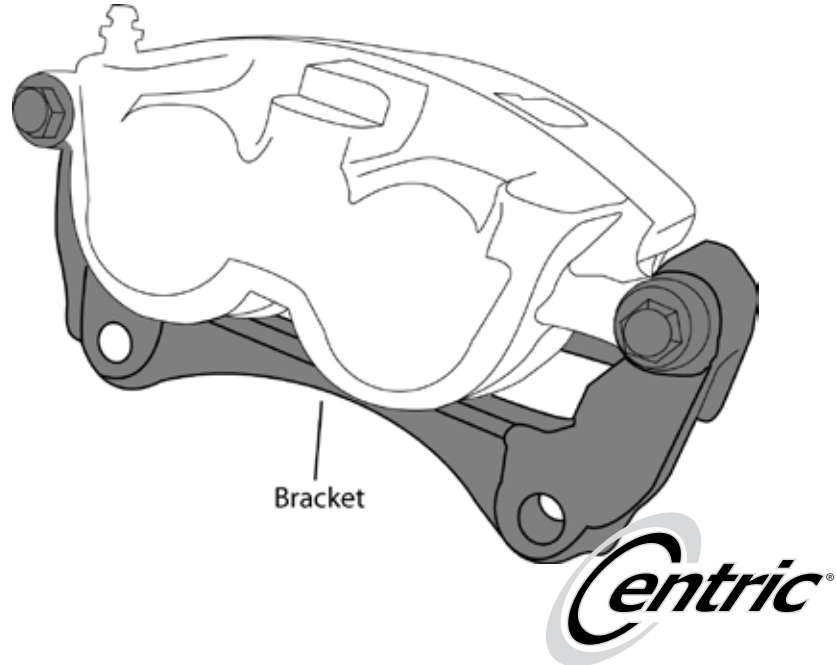
14528 Bonelli Street
City of Industry, CA
www.centricparts.com

ATTENTION

**CORE CREDIT WILL NOT BE ISSUED
IF THIS CRITICAL COMPONENT IS NOT RETURNED**

Your core must include the mounting bracket and caliper housing to receive full core credit.

THE CALIPER ILLUSTRATION IS AN EXAMPLE,
YOUR CALIPERS APPEARANCE MAY DIFFER.



CRTNB2

14528 Bonelli Street
City of Industry, CA
www.centricparts.com

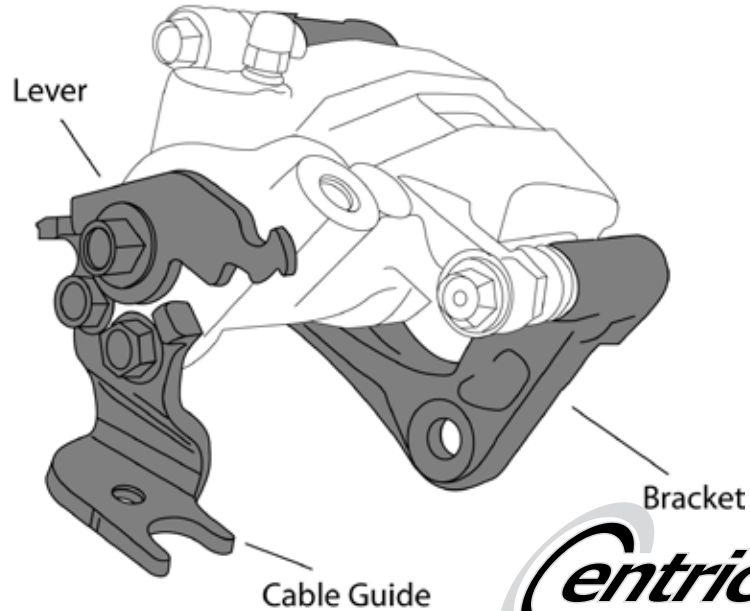
ATTENTION

**CORE CREDIT WILL NOT BE ISSUED
IF THIS CRITICAL COMPONENT IS NOT RETURNED**

Your core must include the main caliper housing along with the following to receive full core credit.

1. Cable Guide
2. Lever
3. Mounting Bracket

THE CALIPER ILLUSTRATION IS AN EXAMPLE,
YOUR CALIPERS APPEARANCE MAY DIFFER.



CRTNB3



14528 Bonelli Street
City of Industry, CA
www.centricparts.com

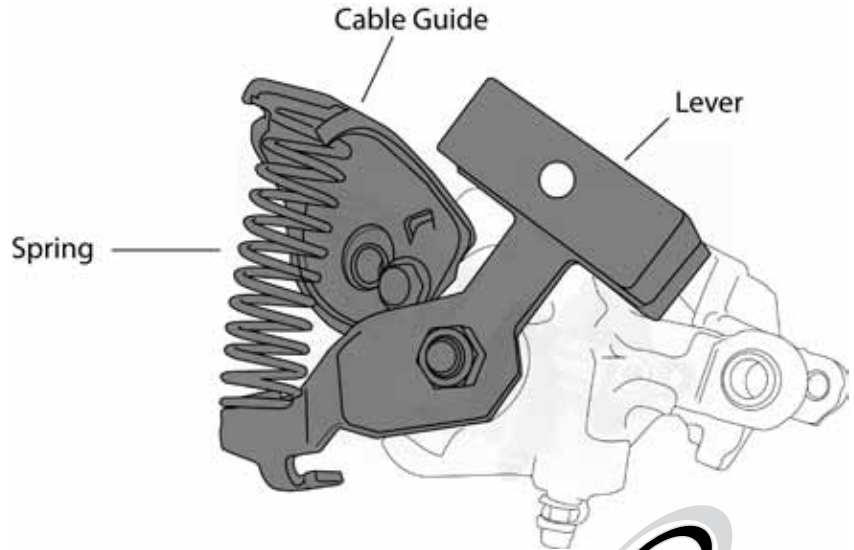
ATTENTION

**CORE CREDIT WILL NOT BE ISSUED
IF THIS CRITICAL COMPONENT IS NOT RETURNED**

Your core must include the main caliper housing along with the following to receive full core credit.

1. Cable Guide
2. Lever
3. Spring

THE CALIPER ILLUSTRATION IS AN EXAMPLE,
YOUR CALIPERS APPEARANCE MAY DIFFER.



CRTNB4



14528 Bonelli Street
City of Industry, CA
www.centricparts.com

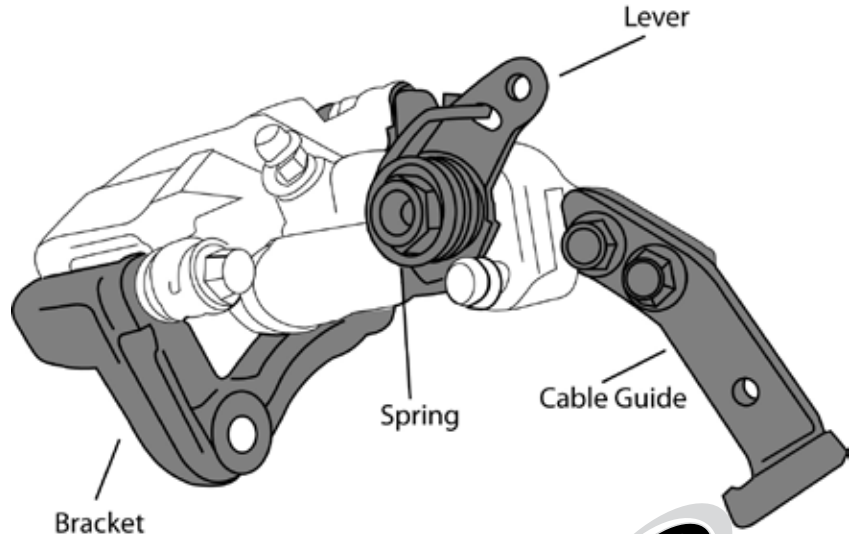
ATTENTION

**CORE CREDIT WILL NOT BE ISSUED
IF THIS CRITICAL COMPONENT IS NOT RETURNED**

Your core must include the main caliper housing along with the following to receive full core credit.

1. Cable Guide
2. Lever
3. Spring
4. Mounting Bracket

THE CALIPER ILLUSTRATION IS AN EXAMPLE,
YOUR CALIPERS APPEARANCE MAY DIFFER.



14528 Bonelli Street
City of Industry, CA
www.centricparts.com

CRTNB5

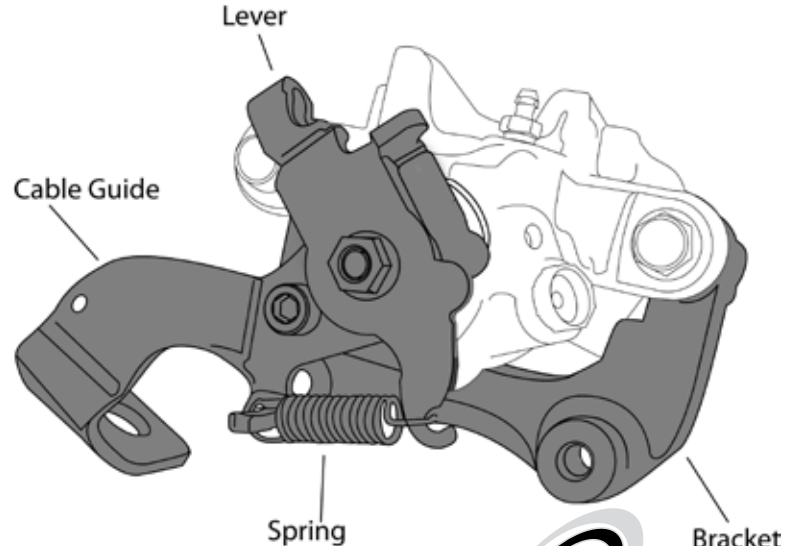
ATTENTION

**CORE CREDIT WILL NOT BE ISSUED
IF THIS CRITICAL COMPONENT IS NOT RETURNED**

Your core must include the main caliper housing along with the following to receive full core credit.

1. Cable Guide
2. Lever
3. Spring
4. Mounting Bracket

THE CALIPER ILLUSTRATION IS AN EXAMPLE,
YOUR CALIPERS APPEARANCE MAY DIFFER.



14528 Bonelli Street
City of Industry, CA
www.centricparts.com

CRTNB6