

**White Paper:**

**Brake Proportioning Valves**

**The True Story of a Misunderstood, Misused and Misnamed Brake System Component**

Elsewhere on this website we have discussed (in painful detail some would add) the importance of front-to-rear bias, or brake balance, and how its optimization can lead to better braking performance. However, one critical factor in establishing bias – the mechanical brake pressure proportioning valve – was left out of the discussion. After all, one can only take so much of this brake bias talk in one sitting.

That said, we are back to share the intricacies of just how brake pressure is distributed to the front and rear of the vehicle. More importantly, we hope that you take away the understanding that replacing, modifying, or just plain fiddling with your proportioning valve can do more harm than good. While it is not quite black magic, there are plenty of opportunities to throw the system into disarray without even knowing it.

Consequently, we offer this quick look into these devices and their mechanical siblings. A small amount of knowledge can yield surprising benefits, not the least of which is avoiding nasty surprises.

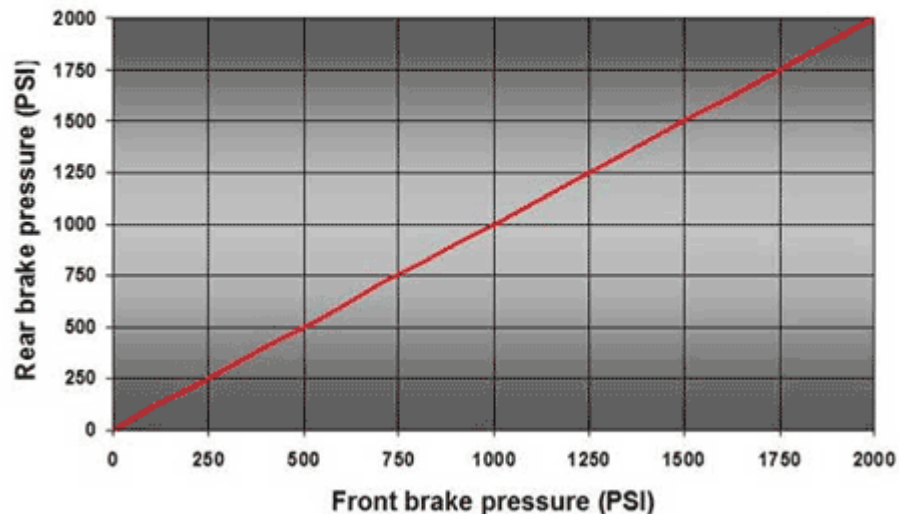
**Rear Brake Pressure Control**

In general, there are three ways to deal with rear brake pressure: leave it alone, make it proportional to the front brake pressure, or control it in a way that combines these two strategies.

**Strategy 1: Leave it Alone**

If no device were used to modify the rear brake pressure, then as shown in Figure A, the front brake pressure and rear brake pressure would always be equal. Naturally, this is the easiest way to deal with the issue, but in order to prevent rear bias under all conditions, the rear brake itself would need to be absolutely tiny.

**Brake Line Pressure Figure A**  
**No front-to-rear regulation**

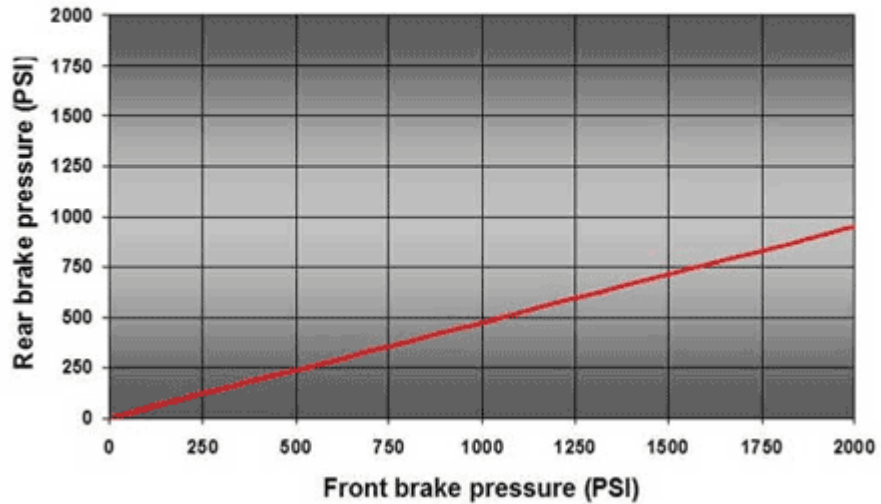


As you can imagine, this is not a realistic solution and is not found in the real world.

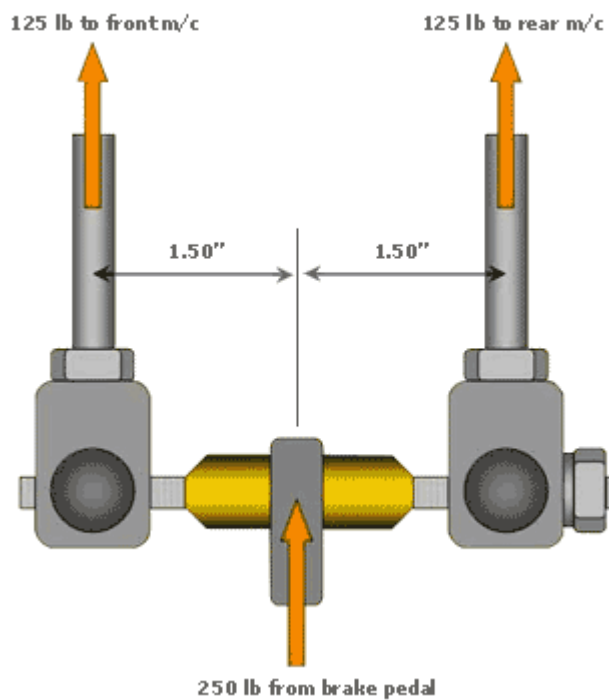
### Strategy 2: True Proportioning

True proportioning, as shown in Figure B, would result in rear brake pressures being linearly proportional to front brake pressures under all conditions. Ironic as it may seem, "proportioning valves" do not provide this kind of control, as they are not the purely proportional devices their name would imply.

**Brake Line Pressure Figure B**  
With true front-to-rear proportioning

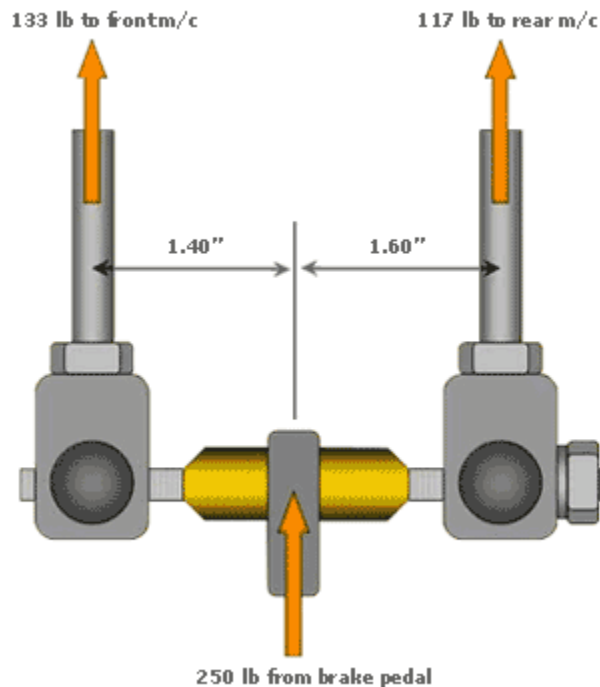


This type of pressure regulation is certainly possible to achieve, but it typically requires tandem master cylinders and an adjustable reaction linkage, the same setup found on nearly every purpose-built racing car today.



On vehicles so equipped, the proportioning ratio is achieved through a combination of master cylinder piston diameter selection and the adjustment of a mechanical reaction linkage that connects the two master cylinders. Also known as a bias bar, the linkage geometry determines the front-to-rear force distribution coming from the brake pedal assembly. The significant benefit to this set-up is that a bias bar can be designed in such a way that the driver can adjust the front-to-rear proportioning ratio while at speed.

In the example shown below, an adjustment of the bias bar of 0.010 inches results in an increase in front master input cylinder force from 125lb to 133lb. At the same time, the rear master cylinder input force drops from 125lb to 117lb.



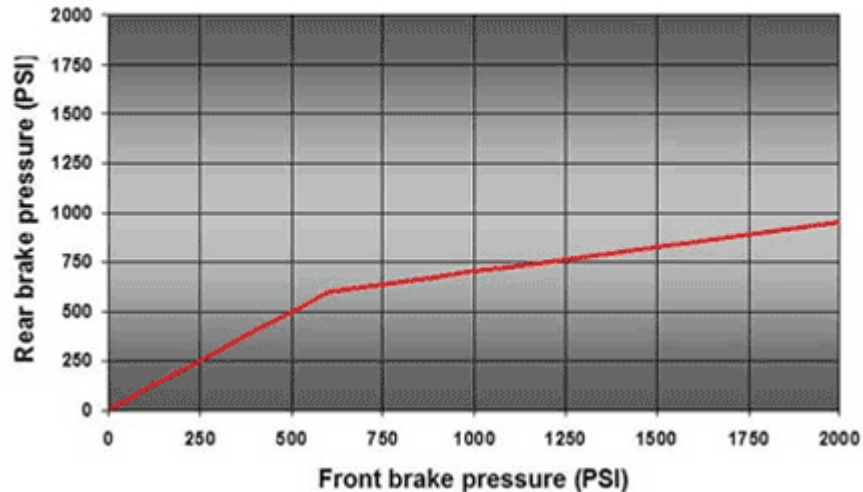
Real-time driver control over bias makes adjustments for changing track conditions or fuel load practically effortless. The complexity of this design makes it highly impractical for street use, but on track it simply can not be beat for ease of adjustment.

### Combining Strategies – The Misnamed Proportioning Valve

Conventional proportioning valves should really be referred to as “braking force regulators” or “brake pressure regulating valves.” While their name might imply true proportional control, in reality they provide a combination of the control found in Figures A and B.

Up to certain pressures, these valves allow equal pressure to both the front and rear brakes (à la Figure A). However, once a preset pressure point is reached (600 psi in the example), the rear brake pressure continues to build, but at a slower rate (or slope) than the front brake pressure. Figure C displays this for us quite clearly.

### Brake Line Pressure Figure C With typical "proportioning valve"



Looking at the diagrams, one can see that it is possible to design both a Type B system and a Type C system that ultimately give the same brake balance at the point of maximum deceleration. (Note that Figures B and C both generate 950 psi of rear brake-line pressure when the front brake-line pressure is at 2000 psi.)

However, one can also see that Type C systems—those that use proportioning valves—can bring us closer to optimum balance at lower deceleration levels. This benefit is relatively meaningless in a racing application, as the vehicle is always operating at maximum decelerations, but it is of great advantage on the street.

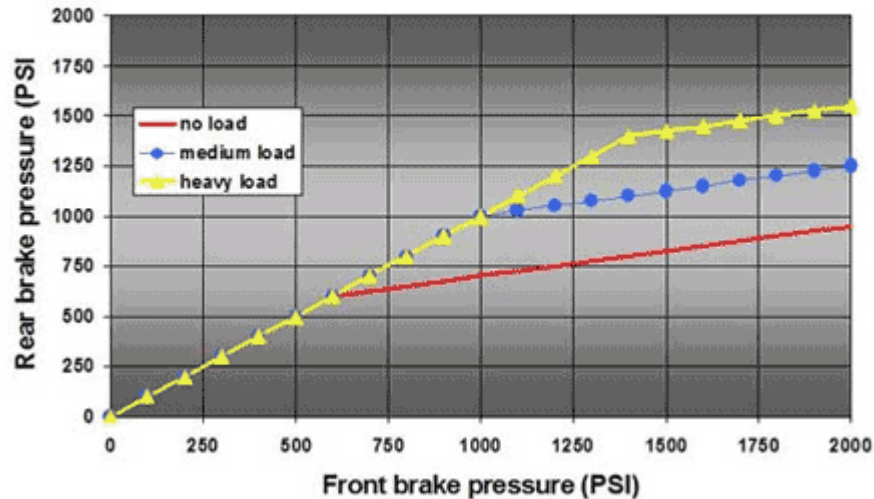
In so many words, the proportioning valve allows us to drive around town under optimized brake-balance conditions (good for front brake-pad life) but also keeps everything in check when we need maximum braking (good for stability).

Due to their compact size and relatively low cost, these devices can be found on nearly every vehicle which requires rear brake pressure reduction to achieve optimum brake bias. Typical passenger cars and production-based race cars fall neatly into this category.

#### Height-Sensing Proportioning Valves

Some vehicle's proportioning valves go one step farther, as the kneepoint on the graph can vary with the amount of weight on the rear axle. Effectively, as the rear axle weight increases, a linkage between the axle and the body is compressed. This linkage acts on a cam inside the proportioning valve which increases the preload on the proportioning valve spring. The end result is that more rear braking (bias) is allowed as weight is added to the rear axle, helping to take advantage of the increased traction now available at the rear tires. Figure D illustrates this relationship quite clearly.

## Brake Line Pressure Figure D With height-sensing proportioning valve



### So, Can One Adjust The Proportioning Valve?

Believe it or not, in nearly all cases the OEM valves are well matched to the original brake system and should not be tampered with, as there are no parts inside that are able to be modified by ambitious owners. Unfortunately, some are externally adjustable, so the temptation to tinker is right there in front of us!

One point to ponder is that because they are a mechanical device, proportioning valves must be designed as a best compromise for use under all conditions. High speed, low speed, fully loaded, and empty vehicle scenarios must all be evaluated and figured into the proportioning valve design.

Of course if you have modified your vehicle in a way that impacts front-to-rear bias you might be standing out in left field! As a refresher from our bias article, we will bring forward again the lists of modifications which can influence front-to-rear bias.

### Factors that will increase front bias

- Increased front rotor diameter
- Increased front brake pad coefficient of friction
- Increased front caliper piston diameter(s)
- Decreased rear rotor diameter
- Decreased rear brake pad coefficient of friction
- Decreased rear caliper piston diameter(s)
- Lower center of gravity (i.e. lowered vehicle)
- More weight on rear axle (i.e. loaded)
- Less weight on front axle
- Less sticky tires (lower deceleration limit)

### Factors that will increase rear bias

- Increased rear rotor diameter
- Increased rear brake pad coefficient of friction
- Increased rear caliper piston diameter(s)
- Decreased front rotor diameter



- Decreased front brake pad coefficient of friction
- Decreased front caliper piston diameter(s)
- Higher center of gravity (i.e. raised vehicle)
- Less weight on rear axle (i.e. unloaded)
- More weight on front axle
- More sticky tires (higher deceleration limit)

### **Proportioning Modifications**

We could start this section by clearly stating that you should not modify your proportioning valve. But, what fun would that be? In all seriousness, making changes to the proportioning valve to effect brake bias should be left to those with the proper tools and measurement devices, but if you have tweaked your vehicle beyond recognition, this may be your only solution to restore a sense of proper bias to your braking system.

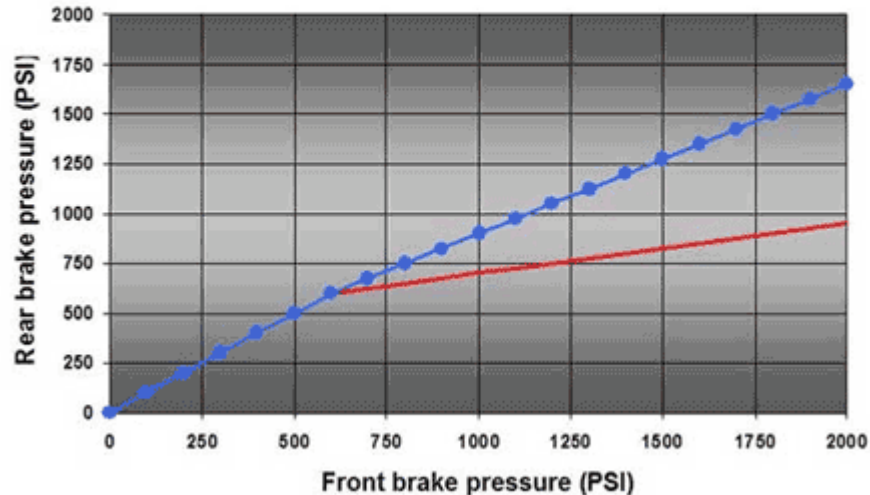
We'll start here with three of the most basic rules regarding proportioning valve installation and selection.

1. If you have the deeply-rooted need to install your own adjustable proportioning valve, be advised that they should NEVER be installed if the factory unit is still in place. Proportioning valves in series with one another can do nasty, unpredictable things!
2. If you have the deeply-rooted need to install your own adjustable proportioning valve, be advised that they should NEVER be installed in-line to the front brakes. The effect would be to make your vehicle rear-biased before you could say "terminal oversteer." Front brake line pressure should always be left alone – only the rear pressures should be considered for proportioning.
3. In all cases, the basic brake system balance needs to be close to optimized to start with. This is the only way that a proportioning valve can be effectively utilized. You should never assume that simply adding a proportioning valve will address all rear-bias conditions, as even the best proportioning valves must be well-matched to the target vehicle.

### **Proportioning Valve Selection**

Selecting the correct adjustable proportioning valve for your vehicle entails not only selecting the proper point at which slope limiting begins (the kneepoint), but also selecting the proper rate at which rear brake line pressure builds after that point (the slope). Nearly every adjustable proportioning valve on the market today has an adjustable knee point (the point at which the rear brake line pressure begins to be controlled), but a fixed slope (the rate at which it builds beyond the knee point). While one parameter is adjustable, both are critical to system performance. Note that in Figure E the two curves have the same knee point, but the slopes vary greatly.

## Brake Line Pressure Figure E Proportioning valve comparison



So how does one select the right kneepoint and slope? Without the test and measurement resources of a major automotive manufacturer, it's next to impossible to say. Of course, you could trial-and-error your way into a solution that you believe to be appropriate, but without testing under all conditions of loading, speed, and road conditions there might be one operating condition just waiting to bite you.

In short, if you find yourself thinking, "I wonder how I would pick the right proportioning valve for my car?" you probably shouldn't be changing it yourself.

### Electronic Proportioning: No Tampering Allowed

As a small sidebar to the mechanical proportioning valve discussed here, there is a movement afoot to replace the proportioning valve function with the hardware performing the ABS function. While this is not yet the norm, most high-end performance cars already have this feature as standard equipment and one can predict with reasonable certainty that the trend will continue.

Based on information gathered from the four ABS wheel speed sensors, the Dynamic Rear Proportioning (DRP) or Electronic Brake force Distribution (EBD) algorithms calculate the front-to-rear slip ratio of the four tires. Then, given preset thresholds and parameters, the ABS hardware can intervene and modify the brake pressure going to the rear wheels automatically.

Because DRP and EBD are based on actual wheel slip and not on brake line pressure, this type of rear proportioning is more flexible and adaptable to modifications one might make to their vehicle. It is also less expensive, as the OEM can now remove the mechanical proportioning valve from the vehicle and replace its function with other hardware already on board.

Naturally, the OEM does not want owners fiddling with their front-to-rear proportioning, and as a result there is no way for the enthusiast to reprogram DRP or EBD to suit their desires. Of course, if the vehicle's original front-to-rear bias is intact in the first place, there is no need to reprogram anyway.

### Plan Wisely

In summary, there is more to the proportioning valve than meets the eye. You should make every attempt to carefully plan and select your brake modifications so that you are able to retain and reap the benefits of the stock proportioning valve. In other words, pay attention to (and don't stray too far from) the factory bias in the first place and you will be ahead of the game.



If for other reasons you are forced to scrap the stock unit and replace it with an aftermarket unit, be advised that selection and adjustment are not for the uninitiated. While there is more than one way to achieve optimum balance at the point of maximum deceleration, without the right amount of know-how you might be making compromises under partial braking conditions that were not present with the factory hardware.

Again, remember that simply adding or replacing a proportioning valve may not be enough to remedy basket-case bias scenarios. Proper planning and up-front design should ensure that the base vehicle bias is appropriate from the start, enabling the proportioning valve to be used properly as a fine-tuning device.

**by James Walker, Jr., exclusively for Centric Parts/StopTech**

**About Centric Parts®**

[Centric Parts®](#), which includes the [StopTech®](#) and [Power Slot®](#) divisions, is a leading manufacturer and supplier of aftermarket brake components and systems for everyday cars, performance duty vehicles and ultra performance vehicles. The Southern California company was founded in 2000 and now employs over 500 workers at its multiple warehouse and production facilities that total more than half a million square feet of floor space. The company's skilled and seasoned engineers and experts, and an award-winning executive team drawn from across the industry, fuel Centric Parts' mastery of the automotive aftermarket and its dedication to research and development. The patent-holding company also has one of the industry's best programs for tracking and cataloging original equipment parts and uses this expertise to devise and deliver quality aftermarket and OE parts for consumers, technicians and auto makers.

**About StopTech®**

[StopTech®](#), the ultra performance and racing division of [Centric Parts®](#), is a leading innovator of world class brake components and systems for production-based racing cars and high performance vehicles on the street and track. Founded in 1999, StopTech was the first to offer Balanced Brake Upgrades® for production cars and remains the worldwide leader with over 650 platform offerings to dramatically improve overall braking performance. StopTech's industry leading technologies and materials, from rock solid calipers to ingeniously efficient heat handling rotors, result in shorter stopping distances, better brake modulation and less brake fade.

###